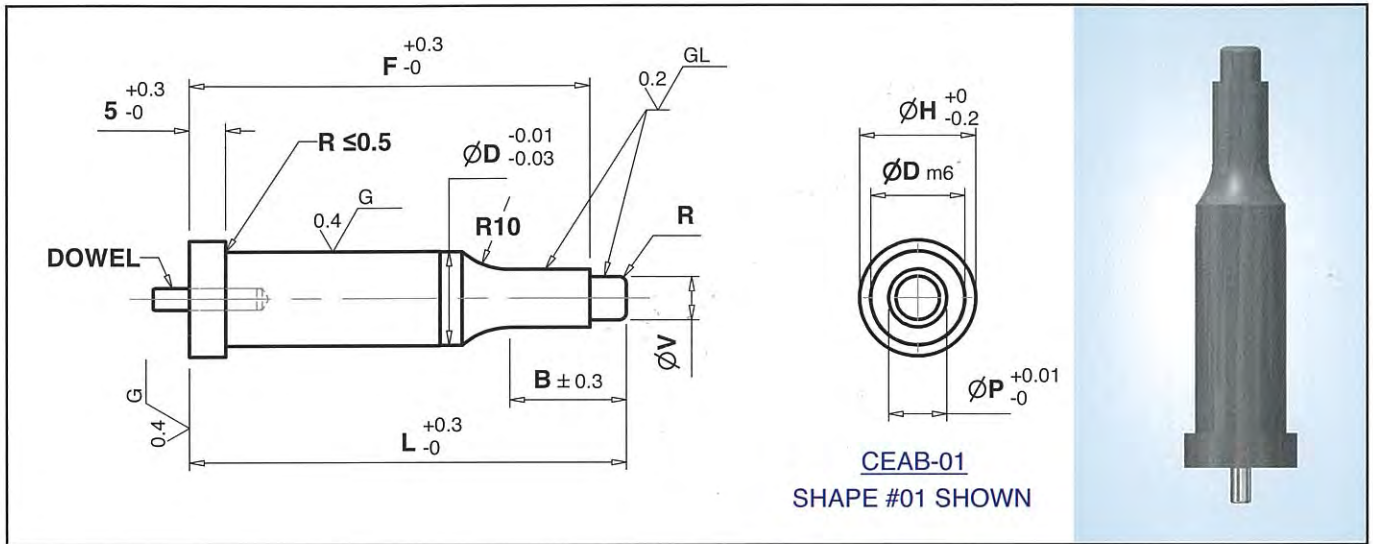




# SOLID CARBIDE DRAWING PUNCHES

DOWEL PIN TYPE (CEAB)



SHAPE	D Body Dia.	P	V	B	H	L
01 – 27	3	2.00 – 2.99	1.00	8	5	40.0 – 80.0
	4	2.00 – 3.99	1.00		7	
	5	2.00 – 4.99	1.20		8	
	6	2.00 – 5.99	1.20		9	
	8	3.00 – 7.99	1.50	13	11	50.0 – 100.0
	10	3.00 – 9.99	1.50		13	
	13	6.00 – 12.99	2.00		16	
	16	10.00 – 15.99	3.00	19	19	
	20	13.00 – 19.99	3.00		23	
25	18.00 – 24.99	4.00	28			

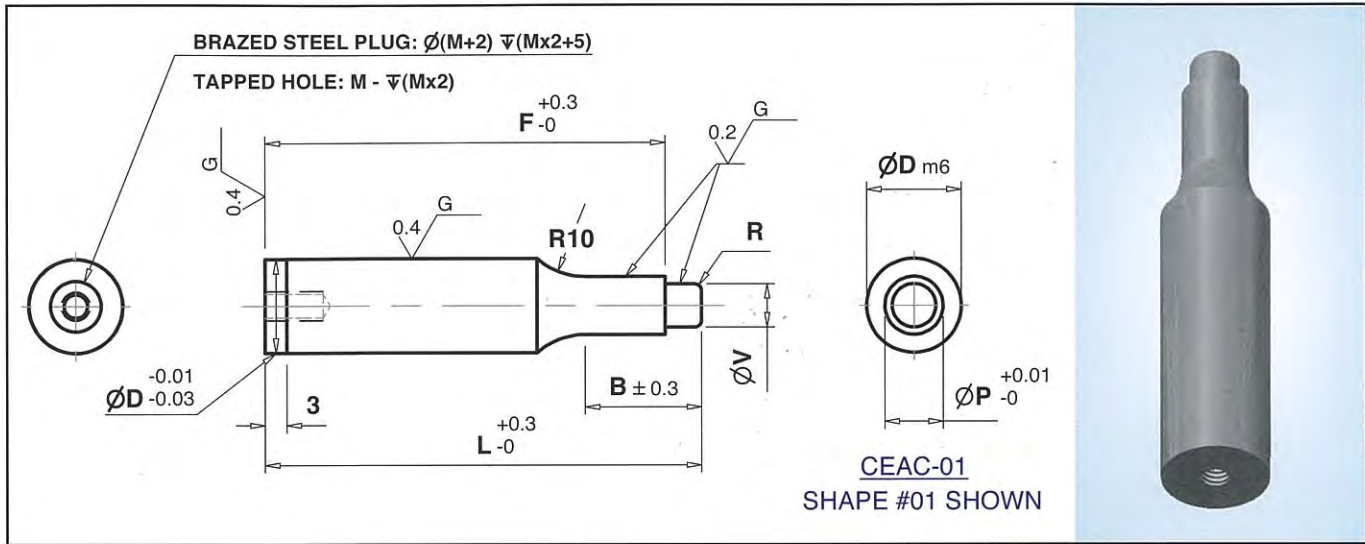
\*\*\*Please refer the the Shape page for the SHAPE.

Note: Other Dimension Not Listed above can be ground to your specifications.  
 If in doubt please send us your drawing. 'D' tolerance is m5 or +0.005.  
 Unless otherwise specified by customer all outside corners will be sharp.

How to order : **CEAB – SHAPE – D – (P / E / V / R / Q / A / K / F / S) – L**  
 Example : **CEAB – SHAPE 01 – D3 – P2.00 – V1.00 – R3.0 – F30 – L40**

# SOLID CARBIDE DRAWING PUNCHES

TAPPED TYPE (CEAC)



SHAPE	D Body Dia.	P	V	B	H	L
01 – 27	5	2.00 – 4.99	1.20	8	8	40.0 – 80.0
	6	2.00 – 5.99	1.20		9	
	8	3.00 – 7.99	1.50	13	11	50.0 – 100.0
	10	3.00 – 9.99	1.50		13	
	13	6.00 – 12.99	2.00		16	
	16	10.00 – 15.99	3.00	19	19	
	20	13.00 – 19.99	3.00		23	
	25	18.00 – 24.99	4.00		28	

\*\*\*Please refer the the Shape page for the SHAPE.

Note: Other Dimension Not Listed above can be ground to your specifications.  
 If in doubt please send us your drawing. 'D' tolerance is m5 or +0.005.  
 Unless otherwise specified by customer all outside corners will be sharp.

How to order : **CEAC – SHAPE – D – (P/E/V/R/Q/A/K/F/S) – L**  
 Example : **CEAC – SHAPE 01 – D5 – P2.00 – V1.20 – R3.0 – F30 – L40**

# SOLID CARBIDE DRAWING PUNCHES

- SHAPES

